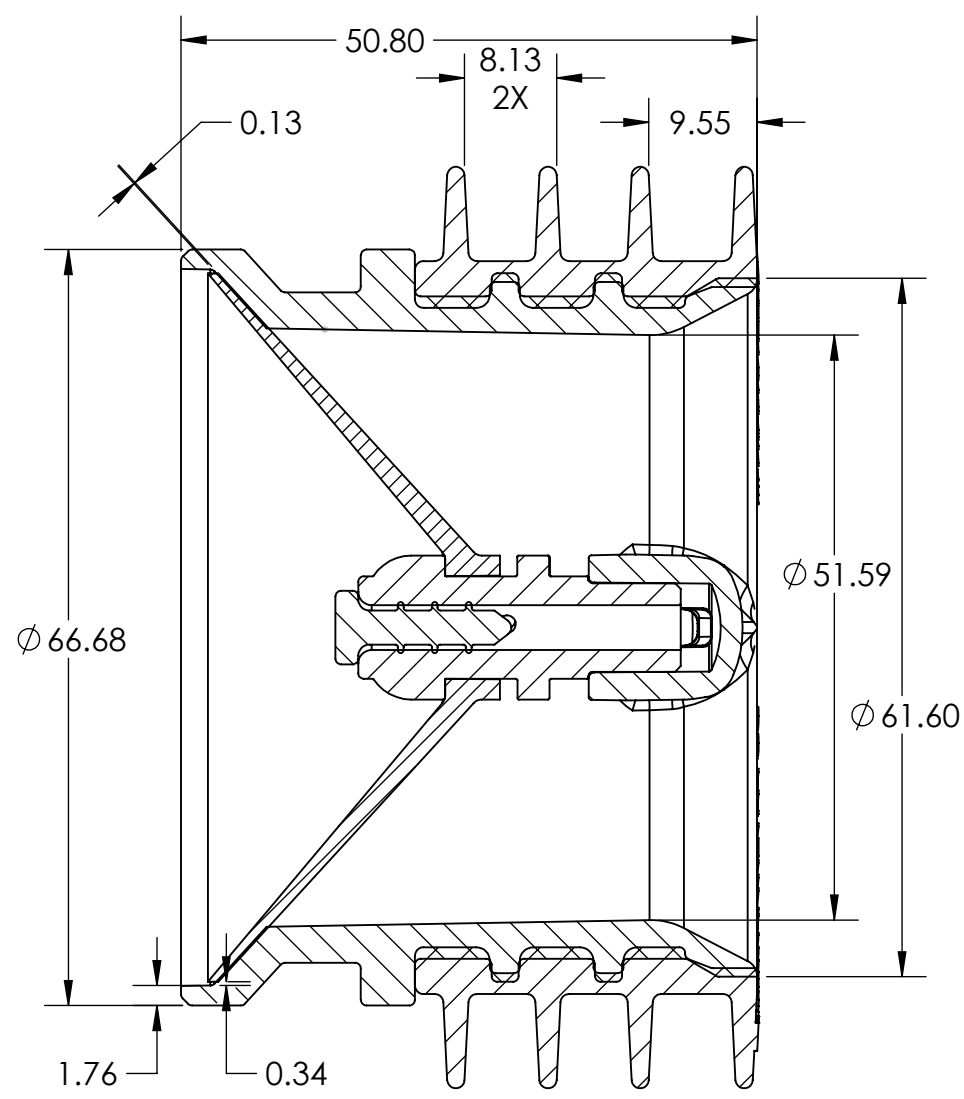


D

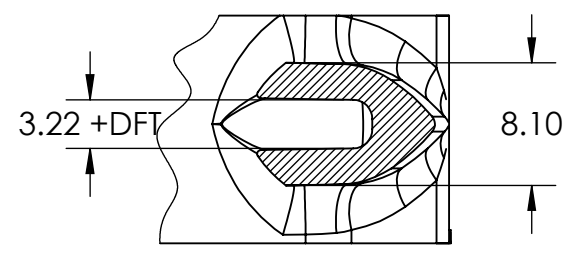
C

B

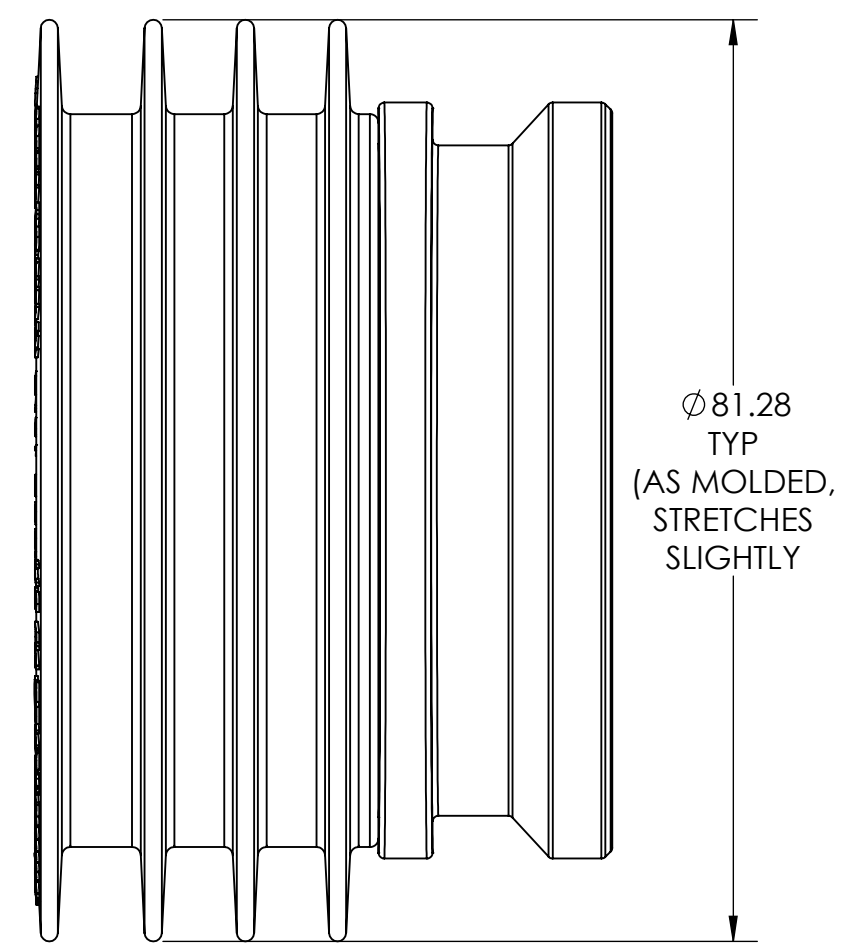
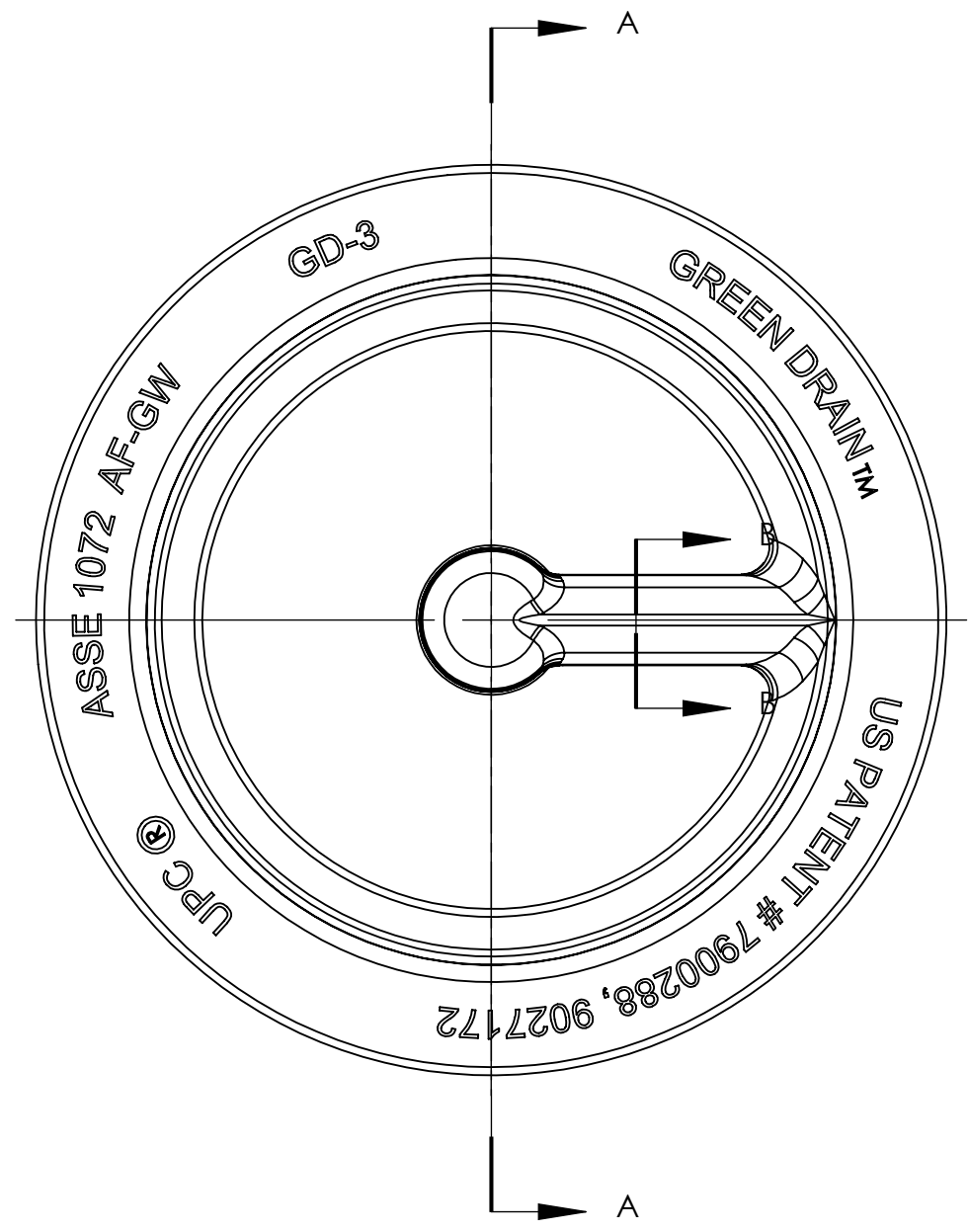
A



SECTION A-A



SECTION B-B
SCALE 2:1



D

C

B

A

PROPRIETARY AND CONFIDENTIAL
THE INFORMATION CONTAINED IN THIS DRAWING IS THE SOLE PROPERTY OF LIQUIDBREAKER. ANY REPRODUCTION IN PART OR AS A WHOLE WITHOUT THE WRITTEN PERMISSION OF LIQUIDBREAKER IS PROHIBITED.

		UNLESS OTHERWISE SPECIFIED:		NAME	DATE						
		DIMENSIONS ARE IN MILLIMETERS		DRAWN	FLANDON 10MAY2015						
		TOLERANCES:		CHECKED							
		FRACTIONAL ±		ENG APPR.							
		ANGULAR: MACH ± BEND ±		MFG APPR.							
		TWO PLACE DECIMAL ±		Q.A.							
		THREE PLACE DECIMAL ±		COMMENTS:							
		INTERPRET GEOMETRIC TOLERANCING PER:									
		MATERIAL									
		NOTED									
NEXT ASSY	USED ON	FINISH		<table border="1"> <tr> <td>SIZE</td> <td>DWG. NO.</td> <td>REV</td> </tr> <tr> <td>B</td> <td></td> <td>3</td> </tr> </table>		SIZE	DWG. NO.	REV	B		3
SIZE	DWG. NO.	REV									
B		3									
APPLICATION		DO NOT SCALE DRAWING		<table border="1"> <tr> <td>SCALE: 3:2</td> <td>WEIGHT:</td> <td>SHEET 1 OF 1</td> </tr> </table>		SCALE: 3:2	WEIGHT:	SHEET 1 OF 1			
SCALE: 3:2	WEIGHT:	SHEET 1 OF 1									