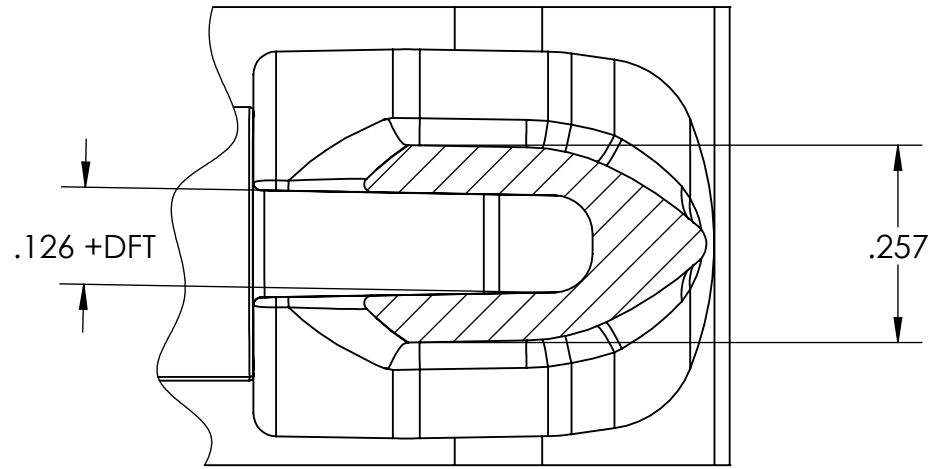


SECTION A-A

SECTION B-B
SCALE 4 : 1



PROPRIETARY AND CONFIDENTIAL
THE INFORMATION CONTAINED IN THIS DRAWING IS THE SOLE PROPERTY OF LIQUIDBREAKER. ANY REPRODUCTION IN PART OR AS A WHOLE WITHOUT THE WRITTEN PERMISSION OF LIQUIDBREAKER IS PROHIBITED.

		UNLESS OTHERWISE SPECIFIED:	NAME	DATE		
		DIMENSIONS ARE IN MILLIMETERS	DRAWN	FLANDON	10MAY2015	TITLE: FLOOR DRAIN, 2" GD-102
		TOLERANCES:	CHECKED			
		FRACTIONAL ±	ENG APPR.			
		ANGULAR: MACH ± BEND ±	MFG APPR.			
		TWO PLACE DECIMAL ±	Q.A.			SIZE DWG. NO. REV
		THREE PLACE DECIMAL ±	COMMENTS:			B 3
NEXT ASSY	USED ON	MATERIAL TBD			SCALE: 1.5:1 WEIGHT: TBD SHEET 1 OF 1	
APPLICATION	DO NOT SCALE DRAWING	FINISH TBD				